

BERGEN AV2

The Bergen rapidly stood out as favorites audiophiles in the range NorStone .

Rigidity has been increased by the way shelves are fastened between the different feet parts. Each level, including the lower one, has its own spikes and counterspikes system. Thus this piece of furniture becomes a valuable ally against vibrations.

Bergen 2, with its 4 shelves, is ideal for top of the range hi- systems. Its top level has the perfect height for a turntable device. You'll appreciate the shelves alignment with Bergen AV 2 ones. Both will give birth to a very nice combination.

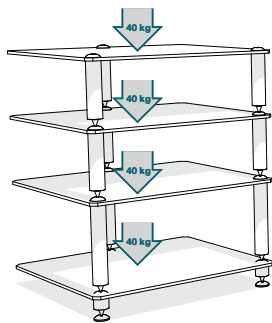
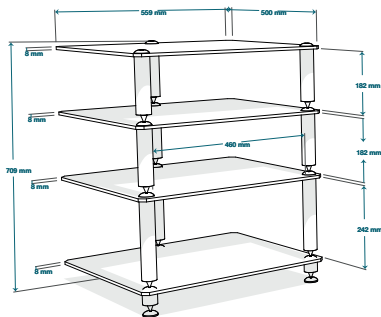


TV 26" MAX
40/40/KG MAX

COLOR(S)



SPÉCIFICATIONS



DESIGN

Finish : Glossy Black/Black

Structure : Glossy black powder coated steel

Shelves : Black lacquered tempered glass

Miscellaneous : Self-gripping strap
Spikes and counter spikes

MAXIMUM LOAD

Shelves : 40 kg

Lower shelf : 40 kg

USABLE DIMENSIONS

Overall dimensions (W x H x D) : 559 x 709 x 500 mm

Shelves (W x D) : 460 x 451 mm

Height between shelves: (a) 182 mm
(b) 182 mm
(c) 242 mm

PACKAGING

Delivered disassembled with screws kit, mounting instructions and tools

Quantity/box : 1

Type : Brown cardboard

Dimensions (W x H x D) : 650 x 125 x 585 mm

Gross weight : 27,7 kg

Net weight : 24,6 kg

GenCode : 3760108801691

ALSO AVAILABLE

Bergen AV2

