



Because a flat screen TV becomes a piece of art once wall mounted, NorStone Mount offers a line of truly universal plasma and LCD brackets. All NorStone Mount brackets combine a great resistance to loading, a unique ease of use, and a reinforced safety (featuring locking systems).

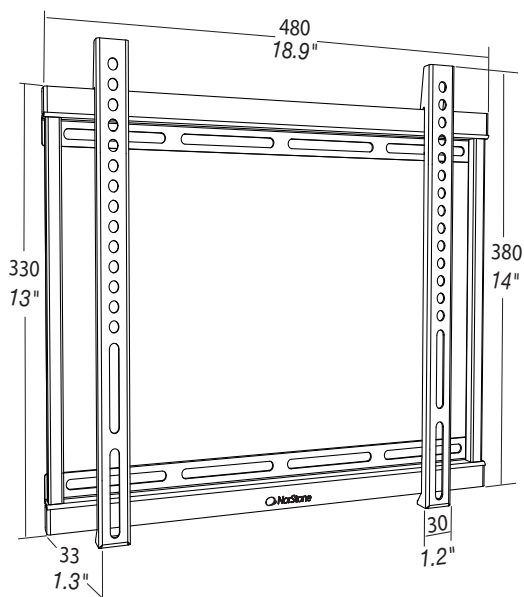
Walm 2032 aesthetically supports any flat screen TV from 20" to 32".

Vesa compliant.



VESA 75,
VESA 100,
VESA 200 x 100,
VESA 200,
VESA 400 x 200

Specifications



Structure: Powder coated steel (glossy black).

Maximum load: The support can hold up to 110 lbs ; 50 kg

Dimensions: Overall dimensions: W18.9" x D1.3" x H15" /
W480 x D33 x H380 mm

Packaging: Delivered in flat box.
Accessories: Screws kit, mounting instructions, mounting tools.

Brown packaging.
Packaging size: W20.6" x D4.9" x H1.6"
W525 x D125 x H40 mm

Gross weight: 4.51 lbs ; 2 kg
Net weight: 4 lbs / 1,8 kg
Languages: English, French,

GenCode 3760108807051

Details

